

CONNECTING DEVICES

M139--



Type:

**WATERTIGHT CLAMPS
CONNECTING DEVICE
1 WAY IN - 2 WAYS OUT
WITH 2, 3, 4, 5 OR 6 POLES**

Rated voltage:

450 V

Impulse voltage:

6 kV

Rated current:

32 A (2-3 poles)

16 A (4-5-6 poles)

Working temperature:

T -40°C + 125°C

Type of clamps to

connect the cables:

SCREW CLAMPS

Clamps connecting

connect the cables:

0,50 ÷ 4,00 mm²

Protection degree (IP):

IP68 (2 bar)

In conformity to the standards:

EN 60998-1 / EN60998-2-1

EN 60529-1

EN 60335 (for the cable gland)

In conformity to the requirements
of the directive:

2006/95/EC

Approval marks:

ENEC 03



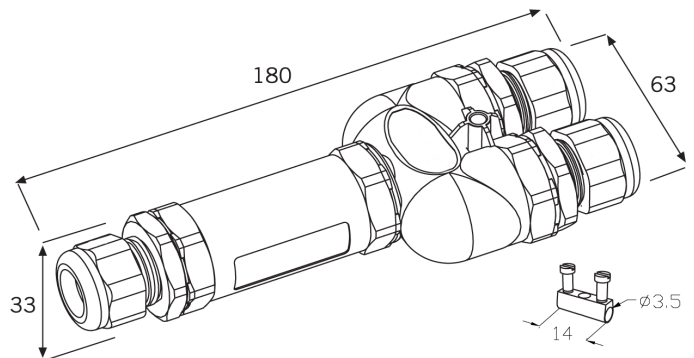
- Watertight clamps connecting device with 2,3,4,5 or 6 poles:
 - external envelope in black PA66
 - housing parts for the contacts in PA66.
 - bush screw clamps, in nickel-plated brass, with slot screw in zinc-plated iron.
 - gaskets in thermoplastic TPE CR/NBR rubber.
 - cable glands in black PA66 with 24 mm hexagonal nut, for cables between 7 and 13,5 mm and 29 mm hexagonal nut, for cables between 8 and 17 mm.

- Device suitable to connect lighting fixtures to the power net, which grants an high protection degree against water.

M139MNAA/-: clamps connecting device with glands for cables between 7 and 13,5 mm, with 24 mm nuts, length 180 mm

M139MNBA/-: clamps connecting device with Line IN gland for cables between 8 and 17 mm, with 29 mm nut, and Line OUT glands for cables between 7 and 13,5 mm, with 24 mm nuts, length 180 mm.

M139MNBB/-: clamps connecting device with glands for cables between 8 and 17 mm, with 29 mm nuts, length 180 mm



M139MN--/2: connecting device in 2 poles version

M139MN--/3: connecting device in 3 poles (2 poles + ground) version

M139MN--/4: connecting device in 4 poles (3 poles + ground) version

M139MN--/Q: connecting device in 4 poles (without ground) version

M139MN--/5: connecting device in 5 poles (4 poles + ground) version

M139MN--/6: connecting device in 6 poles (5 poles + ground) version

- The cable clamp device can be connected to multi-conductor cables, arranged with unsheathing 25 mm, unsheathing 25 mm and tripping 6 mm or crimped with end-terminal (for the cables, refer to "Section 9" of this catalogue - suggested cables with external sheath in neoprene rubber).

