

# CONNECTING DEVICES

## M141-



Type:

**WATERTIGHT CLAMPS  
CONNECTING DEVICE  
1 WAY IN - 1 WAY OUT  
WITH 2, 3 OR 4 POLES**

Rated voltage:

**450 V**

Rated current:

**32 A**

Working temperature:

**T -40°C + 125°C**

Type of clamps to connect the cables:

**SCREW CLAMPS**

Clamps connecting connect the cables:

**0,50 ÷ 4,00 mm<sup>2</sup>**

Protection degree (IP):

**IP68 (1 bar)**

In conformity to the standards:

**EN 60998-1 / EN60998-2-1**

**EN 60529-1**

**EN 60335 (for the cable gland)**

In conformity to the requirements of the directive:

**2006/95/EC**

Approval marks:

**ENEC 03**



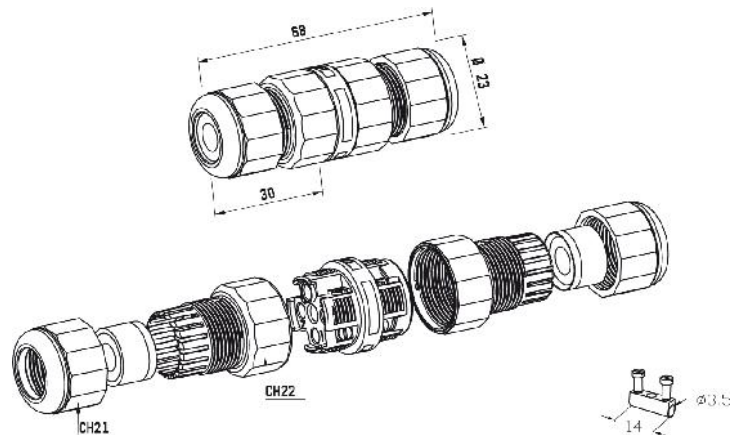
- Watertight clamps connecting device with 2, 3 or 4 poles:
  - external envelope in black PA66
  - housing parts for the contacts in PA66.
  - bush screw clamps, in nickel-plated brass, with slot screw in zinc-plated iron.
  - gaskets in thermoplastic TPE rubber.
  - cable gland in black PA66, with 21,3 mm hexagonal nut, for cables between 7 and 12 mm.
- Device suitable to connect lighting fixtures to the power net, which grants an high protection degree against water.

**M141MN/2:** clamps connecting device with 2 poles, diameter 23 mm, length 68 mm.

**M141MN/3:** clamps connecting device with 3 poles (2 poles + ground), diameter 23 mm, length 68 mm.

**M141MN/4:** clamps connecting device with 4 poles (3 poles + ground), diameter 23 mm, length 68 mm.

**M141MN/Q:** clamps connecting device with 4 poles (without ground), diameter 23 mm, length 68 mm.



- The cable clamp device can be connected to multi-conductor cables, unsheathing 20 mm and stripping 6 mm or crimped with end-terminal (for the cables, refer to "Section 9" of this catalogue - suggested cables with external sheath in neoprene rubber).

