

CONNECTING DEVICES

M144-



Type:

**WATERTIGHT CLAMPS
CONNECTING DEVICE SOCKET +
PLUG WITH 2 OR 3 POLES**

Rated voltage:

400 V

Impulse voltage:

4 kV

Rated current:

17,5 A

Working temperature:

T -40°C + 125°C

Type of clamps to
connect the cables:

SCREW CLAMPS

Clamps connecting capacity:

0,50 ÷ 1,5 mm²

Protection degree (IP):

IP68 (0,5 bar)

In conformity to the standards:

EN 61984 / 60988-1

EN 60529-1

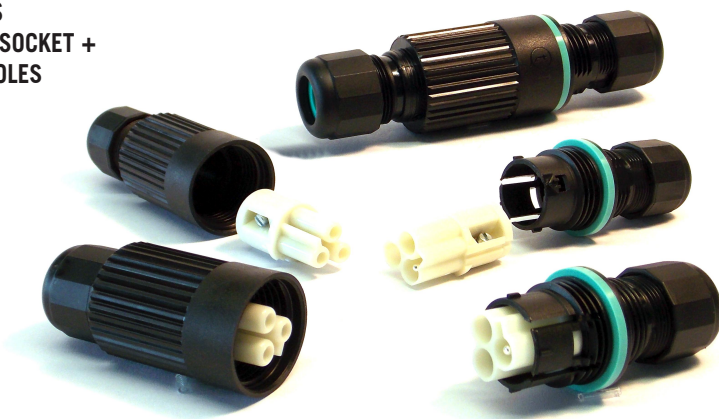
EN 60335 (for the cable gland)

In conformity to the requirements
of the directive:

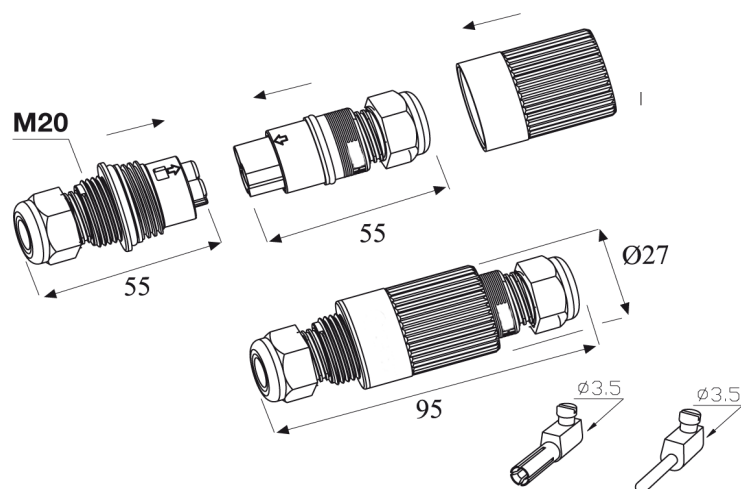
2006/95/EC

Approval marks:

IMQ



- Watertight connecting device plug + socket with 2 or 3 poles with safety ring:
 - external envelope, male and female, in black PA66.
 - housing parts for the contacts, male and female, in PA66.
 - bush screw clamps, in nickel-plated brass, with slot screw in zinc-plated iron.
 - gasket in thermoplastic vulcanised TPE.
 - hexagonal cable gland in black PA66, key 19 mm, for cables between 7 and 12 mm.
 - female-socket part threaded M20,5x1,5 also suitable to fix the device on panels (gasket diameter 20 mm and nut M20,5x1,5, with 26 mm hexagonal key, available to fix the part, as accessories).
- Device suitable to connect lighting fixtures, in order to enable the installer to disconnect, for maintenance or substitution, the lighting fixtures from the main power.



M144N/2: male plug + female socket, with 2 poles, with safety ring and cable glands.

M144N/3: male plug + female socket, with 3 poles (2 poles + ground), with safety ring and cable glands.

- The cable clamp device can be connected to multi-conductor cables, arranged with unsheathing 35 mm and stripping 6 mm or crimped with end-terminal (for the cables, refer to "Section 9" of this catalogue - suggested cables with external sheath in neoprene rubber).

