

CONNECTING DEVICES

M147-



Type:

**WATERTIGHT CLAMPS
CONNECTING DEVICE SOCKET +
PLUG WITH 2, 3, 4 OR 5 POLES**

Rated voltage:

450 V

Impulse voltage:

4 kV

Rated current:

17,5 A

Working temperature:

T -40°C + 125°C

Type of clamps to

connect the cables:

SCREW CLAMPS

Clamps connecting capacity:

**0,50 ÷ 2,50 mm²
(0,50 ÷ 1,50 mm² for 5 poles)**

Protection degree (IP):

IP68 (3 bar)

In conformity to the standards:

**EN 61984
EN 60335 (for the cable gland)**

In conformity to the requirements
of the directive:

2006/95/EC

Approval marks:

IMQ

- Watertight connecting device plug + socket with 2, 3, 4 or 5 poles with safety ring:
 - external envelope, male and female, in black PA66.
 - housing parts for the contacts, male and female, in PA66.
 - bush screw clamps, in nickel-plated brass, with slot screw in zinc-plated iron.
 - gasket in thermoplastic vulcanised TPE.
 - cable gland in black PA66, with 21,3 mm hexagonal nut, for cables between 7 and 12 mm.
 - for version "P": female-socket with accessory that shall be assembled on the threaded part, to fix the device on panels the accessory with the gasket and the nut, with 32 mm hexagonal key, are included in the code).
- Device suitable to connect lighting fixtures, in order to enable the installer to disconnect, for maintenance or substitution, the lighting fixtures from the main power.

M147N/2: male plug + female socket, with 2 poles with safety ring and cable glands.

M147N/3: male plug + female socket, with 3 poles (2 poles + ground), with safety ring and cable glands.

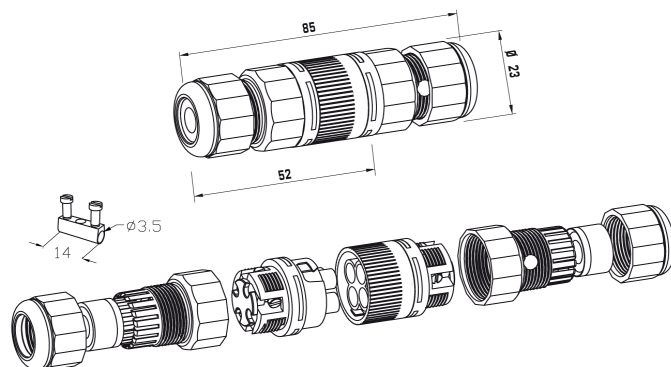
M147N/4: male plug + female socket, with 4 poles (3 poles + ground), with safety ring and cable glands.

M147N/Q: male plug + female socket, with 4 poles (without ground), with safety ring and cable glands.

M147N/5: male plug + female socket, with 5 poles (4 poles + ground), with safety ring and cable glands.

M147P/- : version as above with female socket with back side with thread 25x1,5 to be fixed in the holes, faceted in order to prevent the rotation, using hexagonal nut 21,3 mm in PA66.

M147TP: cap to protect the male plug during the maintenance.



- The cable clamp device can be connected to multi-conductor cables, arranged with unsheathing 20 mm and stripping 6 mm or crimped with end-terminal (for the cables, refer to "Section 9" of this catalogue - suggested cables with external sheath in neoprene rubber).

- for version "P": female-socket part threaded to fix the device on panels (gasket and nut with 32 mm, hexagonal key included).

